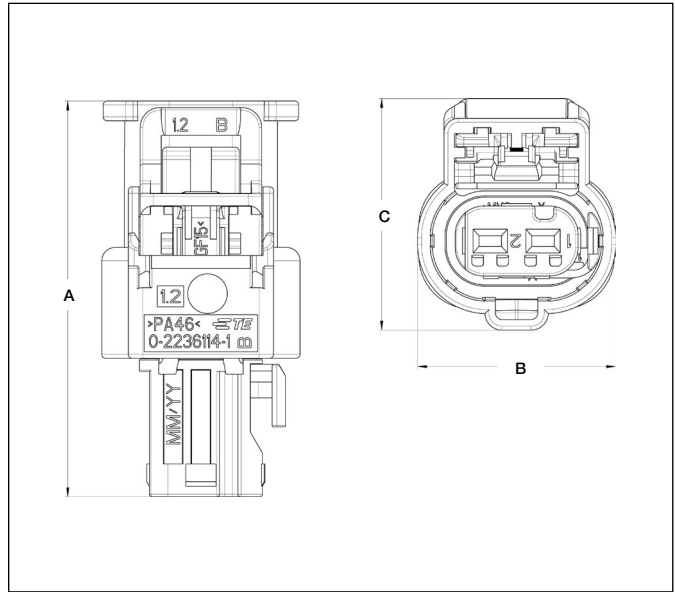


**HPF 1.2 Series - up to 150 °C**



**Technical Features**

**Wire Size Range:**  
max. 1.0 mm<sup>2</sup>

**Temperature Range:**  
150 °C

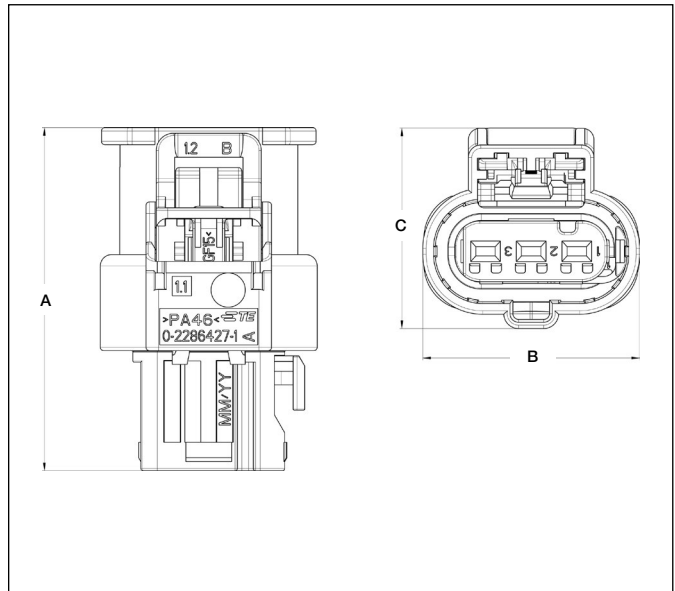
**Product Specification:**  
N/A

**Application Specification:**  
114-94415

**Extraction Tool:**  
3-1579018-4

**HPF 1.2 Series – Sealed, 2 Positions**

No. of Positions	Keying Options	Housing Color	Vibration Level	Part Number	Dimensions (mm)			Used for
					A	B	C	
2	A	Black	V6	5-2297795-1	30	15	16.05	HPF 1.2
	B	Brown		5-2297795-2				
	C	Blue		5-2297795-3				



**Technical Features**

**Wire Size Range:**  
max. 1.0 mm<sup>2</sup>

**Temperature Range:**  
150 °C

**Product Specification:**  
N/A

**Application Specification:**  
114-94415

**Extraction Tool:**  
3-1579018-4

**HPF 1.2 Series – Sealed, 3 Positions**

No. of Positions	Keying Options	Housing Color	Vibration Level	Part Number	Dimensions (mm)			Used for
					A	B	C	
3	A	black	V6	5-2297811-1	30	19	16.05	HPF 1.2
	B	brown		5-2297811-2				
	C	blue		5-2297811-3				